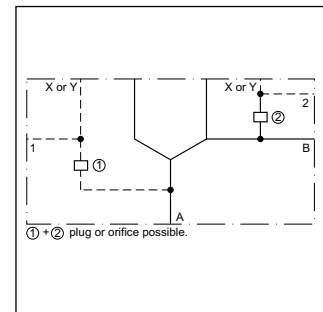
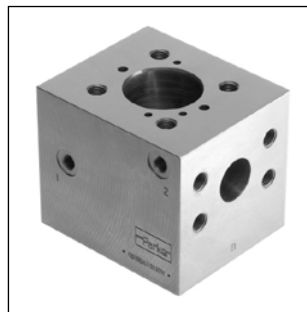


Characteristics / Ordering Code

Cartridge manifold blocks are bodies for 2/2-way slip-in cartridge valves. They are used in systems with only one cartridge valve without the need to design a specific manifold block.

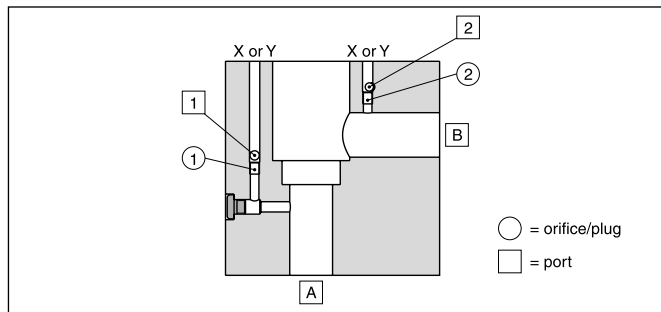
The pilot ports X and Y can either be connected to A and B or vice versa by changing the mounting position of the cartridge cover.

The wide range of Parker slip-in cartridge valves allows to design solutions for all hydraulic requirements.

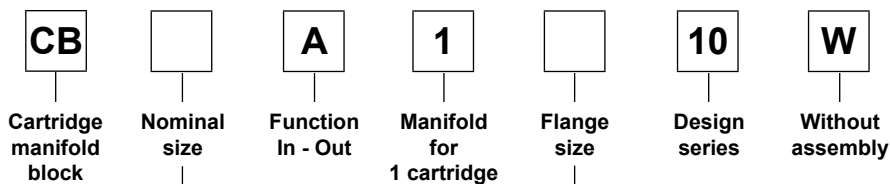


Features

- Flanges SAE62 respectively CETOP square flange
- 2 options for pilot oil supply and drain
- 6 sizes



Ordering code



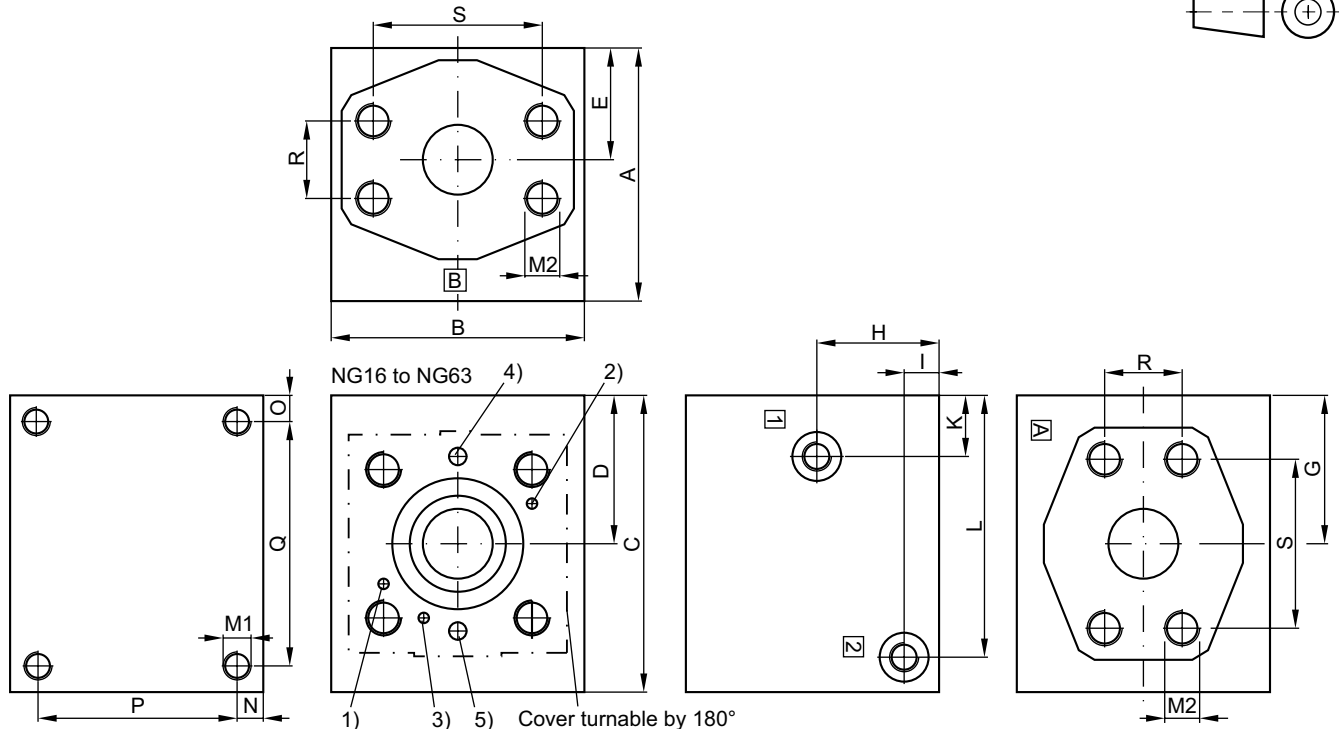
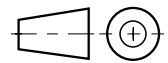
| Code | Size |
|------|------|
| 016 | NG16 |
| 025 | NG25 |
| 032 | NG32 |
| 040 | NG40 |
| 050 | NG50 |
| 063 | NG63 |

| Code | Size | Flange |
|------|---------|--------------|
| 64 | 016 | 1" SAE62 |
| 65 | 025 | 1 1/4" SAE62 |
| 66 | 032 | 1 1/2" SAE62 |
| 68 | 040/050 | 2" SAE62 |
| 70 | 063 | 3 1/2" PN400 |

Technical data

| | |
|-------------------------------|--|
| Mounting interface | ISO 7368-B*-2-A/B |
| Mounting position | unrestricted |
| Max. operating pressure [bar] | up to 420 (depending on p _{max} of flanges) |
| Flanges | SAE62 (6000 PSI series) ISO 6162, CETOP-square flange (400 bar series) |
| Surface protection | phosphated |

12



- 1) Location pin for X connected to [B] and [2], Y connected to [A] and [1]
 2) Location pin for X connected to [A] and [1], Y connected to [B] and [2]
 3) Location pin for pressure functions
 4) X or Y, orifice/plug ① (connected to [A] and [1])
 5) X or Y, orifice/plug ② (connected to [B] and [2])

| Ordering code | Max. operating pressure [bar] | A | B | C | D | E | G | H | I | K | L | N | O | P | Q | Port [A] and [B] | Port [1] and [2] | Orifice thread ① and ② | Weight [kg] |
|--------------------|-------------------------------|-----|-----|-----|------|------|------|------|----|------|------|----|----|-----|-----|------------------|------------------|------------------------|-------------|
| CB 016 A 1 64 10 W | 420 | 105 | 80 | 105 | 38.5 | 34 | 38.5 | 45 | 13 | 13.5 | 75.5 | 10 | 10 | 85 | 85 | 1" SAE62 | G1/4 | M5 | 6 |
| CB 025 A 1 65 10 W | 420 | 125 | 100 | 125 | 50 | 43 | 50 | 55 | 15 | 17 | 94.5 | 10 | 10 | 105 | 105 | 1-1/4" SAE62 | G1/4 | M6 | 11 |
| CB 032 A 1 66 10 W | 420 | 125 | 125 | 145 | 72.5 | 51 | 72.5 | 55 | 15 | 31.5 | 125 | 15 | 15 | 95 | 115 | 1-1/2" SAE62 | G1/4 | M6 | 16 |
| CB 040 A 1 68 10 W | 420 | 145 | 145 | 170 | 85 | 65 | 85 | 70 | 20 | 35 | 150 | 15 | 15 | 115 | 140 | 2" SAE62 | G3/8 | M8 | 25 |
| CB 050 A 1 68 10 W | 420 | 155 | 155 | 190 | 95 | 70 | 95 | 70 | 20 | 37 | 170 | 15 | 15 | 125 | 160 | 2" SAE62 | G3/8 | M8 | 32 |
| CB 063 A 1 70 10 W | 400 | 192 | 192 | 240 | 120 | 86.5 | 120 | 86.5 | 20 | 45 | 220 | 15 | 15 | 162 | 210 | 3-1/2" PN 400 | G3/8 | M8 | 63 |

| Ordering code | M1 | M2 | R | S |
|--------------------|----------|--------|-------|-------|
| CB 016 A 1 64 10 W | M8 x 16 | M12x19 | 27.8 | 57.2 |
| CB 025 A 1 65 10 W | M10 x 18 | M14x22 | 31.8 | 66.6 |
| CB 032 A 1 66 10 W | M16 x 30 | M16x32 | 36.5 | 79.3 |
| CB 040 A 1 68 10 W | M16 x 30 | M20x40 | 44.5 | 96.8 |
| CB 050 A 1 68 10 W | M16 x 30 | M20x40 | 44.5 | 96.8 |
| CB 063 A 1 70 10 W | M16 x 30 | M20x33 | 102.5 | 102.5 |

Cartridge manifold blocks are supplied with a set of plugs and orifices.